

# Wire to Board, Header

## SWTB-C3000VD1-XX

### Description

The SWTB-C3000VDP1-XX is a THT style header with a 3.00 mm pitch and is available up to 12 poles.



### Features

#### Mechanical Properties

#### Description

<b>Insulator material</b>	LCP, UL94V-0
<b>Contact material</b>	Brass, Tin plated over Nickel.
<b>Operating Temperature</b>	-40°C~+105°C
<b>Pitch</b>	3.00 mm
<b>Orientation</b>	Vertical
<b>Dimensions</b>	See table

#### Electrical Properties

#### Description

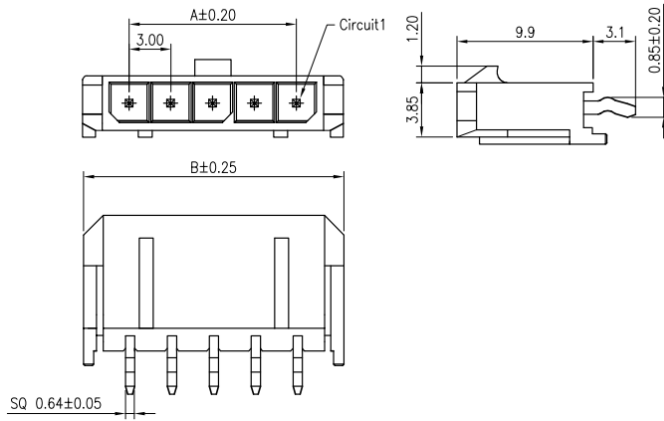
<b>Current Rating</b>	5A AC/DC
<b>Voltage Rating</b>	250V AC/DC
<b>Contact Resistance</b>	10 mΩ max.
<b>Insulation Resistance</b>	1000 MΩ min.
<b>Dielectric Withstanding</b>	1500V AC / 1 min

# Wire to Board, Header

## SWTB-C3000VD1-XX

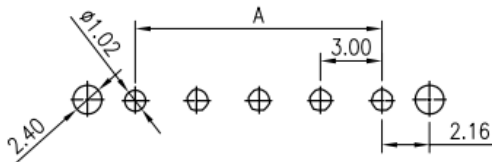
### Dimensions

\*unit: mm,



### PCB Footprint

\*unit: mm ,



### Number of Poles: Dimensions

	Dimensions	
	A	B
02	3,00	9,65
03	6,00	12,65
04	9,00	15,65
05	12,00	18,65
06	15,00	21,65
07	18,00	24,65
08	21,00	27,65
09	24,00	30,65
10	27,00	33,65
11	30,00	36,65
12	33,00	39,65

# Wire to Board, Header

## SWTB-C3000VD1-XX



### Part number

**SWTB-C3000VDP1-XX**

<b>SWTB-C3000VDP1</b>	Style of connector
<b>XX</b>	Poles
	2,3,4,5,6,7,8,9,10,11,12

### Ordering information

Ordering can be done via [www.summit-electronics.com](http://www.summit-electronics.com) or via [info@summit-electronics.com](mailto:info@summit-electronics.com). Please contact us for more information. Customisation of the product is available on request.

### Technical support

For all product questions please contact us via [info@summit-electronics.com](mailto:info@summit-electronics.com)

### Document revision

Rev	Date	changes
<b>V01.00</b>	27-06-2023	First issue of document, EK